

1041 West Ave M-14 Ste A
Palmdale CA 93551
800-918-POOL (7665)
661-273-6759 in CA
661-266-4245 Fax
www.poolstore.com

POOL LINER ORDER FORM

2010

Date _____

Company _____

Contact Person _____

Phone# _____

Fax# _____

Address _____

Ship To Address _____

Ship via _____

Customer/Job _____

Wall Pattern/Mil _____

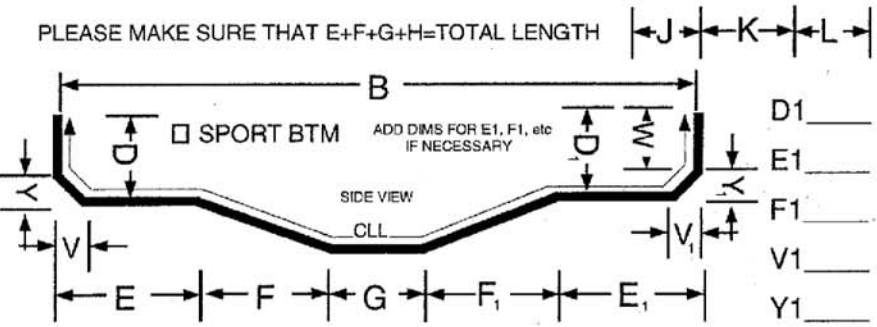
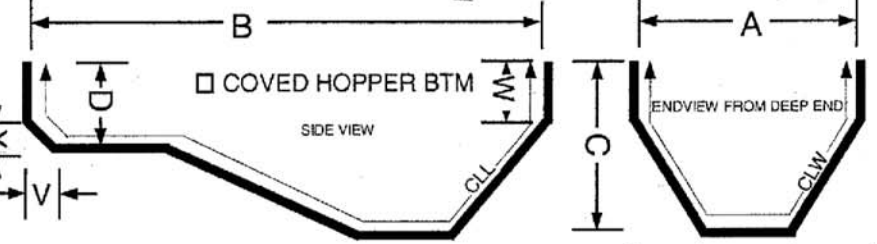
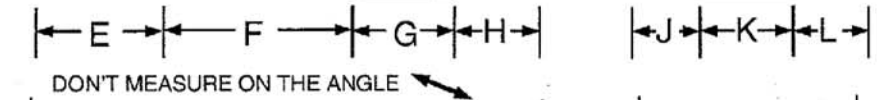
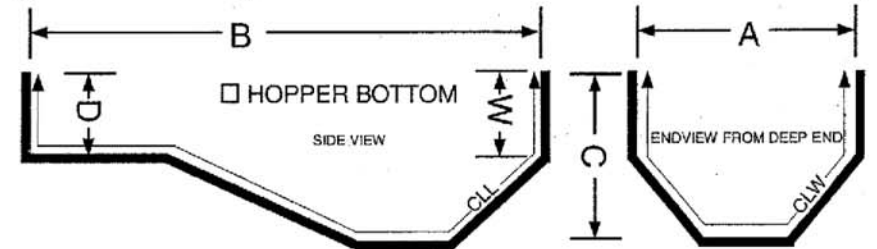
Floor Pattern/Mil _____

POOL SHAPE
 RECTANGLE
 GRECIAN OVAL BOOMERANG (OVER FOR TOP VIEW DIMENSIONS)★
 ▶FOR KIDNEY OR OTHER FREEFORM, SEE OUR FORM FOR MEASURING KIDNEY/FREEFORM
 ▶AQUAFLEX HAS MEASUREMENTS FOR MOST KIT POOLS, CALL US FOR HELP IN IDENTIFICATION

STANDARD KIT POOL

BRAND _____ TYPE _____ SIZE _____ DEPTH _____ OPTIONS _____

BEADED LINER OVERLAP LINER



WALL PATTERNS

- Austin 20
- Plaster 20 28
- Indigo Wall 20
- Twilight 20 28
- Blue Lancashire 20 28
- Gray Lancashire 20 28
- Sunflower 20
- Stone Garden 20 28
- Cayman 20 28
- Spanish 20 28
- Caribbean 28
- Cambridge 28
- Sunburst 20 28
- Savannah 20
- Cottage 20 28
- Florentine 20
- Mandalay 20

FLOOR PATTERNS

- Reflections 20 28
- Shale 20 28
- Indigo Floor 20
- Splash 20 28
- Shale 20 28
- Pebble 20 28
- Mosaic 20 28
- Reef 20 28
- Greenstone 20
- Sonoma 20

NO TILE PATTERNS

- Tye Dye 20 28
- Blue Cloud 28

SOLID COLORS

- Solid Black 20
- Solid White 20
- Solid Grey 20
- Solid Tan 27
- Solid Aqua 20
- Solid Blue 20 28
- Solid Violet 20 28
- White FDA 25
- Black Fish 20 35

For pattern updates and remaining stock of discontinued patterns, see our website www.poolliner.com

- A _____ WIDTH
- B _____ LENGTH
- C _____ DEEP DEPTH
- D _____ SHALLOW DEPTH
- E _____ SHALLOW
- F _____ RAMP
- G _____ HOPPER
- H _____ BACK SLOPE
- J _____ SIDE SLOPE
- K _____ HOPPER WIDTH
- L _____ SIDE SLOPE
- W _____ WALL DEPTH
- V _____ COVE
- Y _____ COVE DEPTH
- CLW _____
- CLL _____

POOL CORNERS

- Square
- Radius
- Diagonal

BOWL SHAPED BOTTOM

CLW & CLL = Centerline Width & Centerline Length
 This dimension is not required for all pools yet can be very helpful to us with any pool, especially those that have rounded features in the bottom of the pool. It is **required** on pools that have a bowl shaped bottom.

LINER CUT

- I prefer a very full liner cut
- I prefer a regular liner cut
- This pool would be easier to fit with a shallower cut

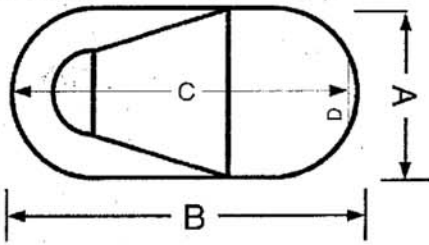
Price _____

Tax _____ Total _____

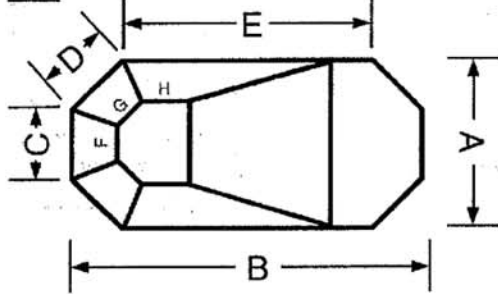
PLEASE FILL OUT ALL INFORMATION ON OTHER SIDE →

► USE FRONT OF FORM TO FILL IN SIDE VIEW

OVAL Use C if pool has flat step at end. Show step width as D.

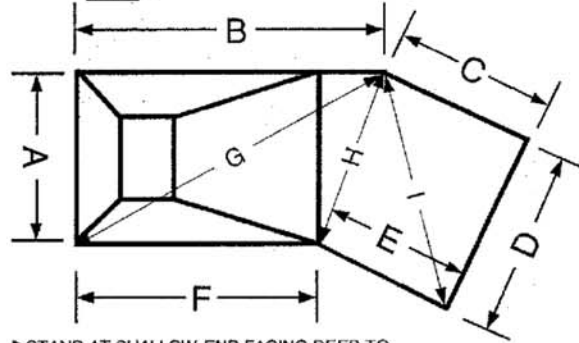


GRECIAN



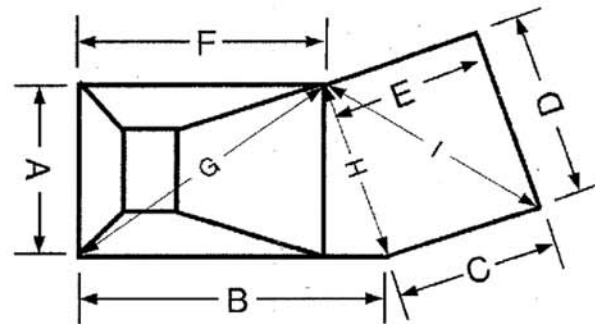
A _____ D _____ G _____
 B _____ E _____ H _____
 C _____ F _____ I _____

LAZY L OR BOOMERANG LEFT



► STAND AT SHALLOW END FACING DEEP TO DETERMINE "LEFT OR RIGHT"
 ► MEASURE G, H, I TO POINT ON DECK WHERE POOL WALLS WOULD SQUARE TO

LAZY L OR BOOMERANG RIGHT

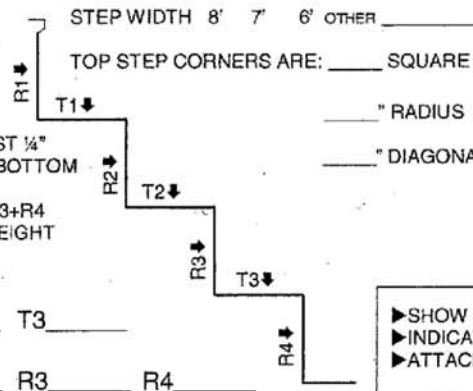


STAIRS

DO YOU REQUIRE ROD SLEEVES?

YES NO

- MEASURE TO NEAREST 1/4"
- R1 IS MEASURED TO BOTTOM LIP OF LINER TRACK
- MAKE SURE R1+R2+R3+R4 ARE EQUAL TO WALL HEIGHT

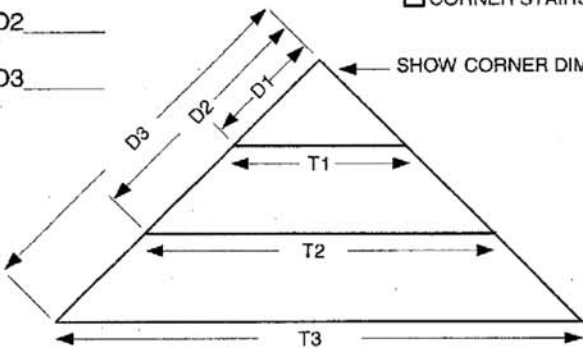


T1 _____ T2 _____ T3 _____
 R1 _____ R2 _____ R3 _____ R4 _____

D1 _____
 D2 _____
 D3 _____

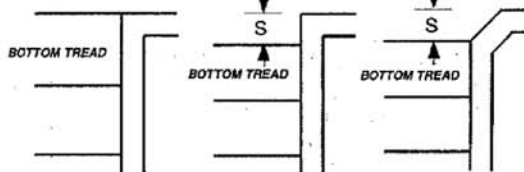
CORNER STAIRS

SHOW CORNER DIM.



SETBACK FROM POOL WALL TO BOTTOM RISER:

_____ NONE S= _____" 90° S= _____" 45°



- SHOW EXACT STAIR LOCATION BY SKETCHING POOL BELOW
- INDICATE DEEP AND SHALLOW ENDS
- ATTACH ADDITIONAL DRAWINGS IF REQUIRED

****INDICATE PREFERRED LOCATION FOR WALL SEAM****